



Home > Bikes > All Mountain

## R.X750 CORE



### The peak performer

Master every mountain, no matter how steep, long or uncertain the challenge is. Big Mountain at its best, with a powerful drive and a chassis that is happy to swallow. The R.X750 is the benchmark for use in steep, demanding terrain. The IPU750 in combination with the Brose Drive S-Mag motor is made to overcome limits and experience outstanding peaks.

### Our Click & Collect Offer

#### How it works

- Buy your dream bike **directly** here in the shop
- We deliver your bike to the **Rotwild store of your choice**
- Pick up your assembled bike in the store

R.X750 CORE in Size S  
**out of stock**

R.X750 CORE in Size M  
**out of stock**

R.X750 CORE in Size L  
**out of stock**

R.X750 CORE in Size XL  
**out of stock**



Finanzieren Sie bequem mit Consors Finanz. Weitere Informationen finden sie [hier](#).

€7,000.00  
**€5,940.00**  
Du sparst -€2,059.00  
Prices incl. VAT plus shipping costs  
**Not available online**

\* You can also choose your preferred Rotwild store during the ordering process

### What it matters

The semi-integrated, powerful 750 Wh battery uses the newest cell technology in a compact, robust aluminium housing. The natural sensitivity of the Brose Drive S-Mag motor lends a real bike feeling to the R.X750; a maximum of 90 Nm torque allows the metres to melt away as you climb and the fun to increase. The 150 mm chassis was entirely designed for superior Big Mountain use in order to achieve a higher degree of efficiency and improve downhill characteristics.

The carbon frame of the R.X750 is light and extremely stiff, which combined with its speed-orientated descent geometry with low top tube, low damper, 66° steering angle and 74° seat angle, as well as a longer reach, ensures plenty of freedom of movement. A 29°

### At a glance

- | Frame/linkage: full carbon, hand made
- | Fork: 150 mm travel / 110x15 mm / 44 mm offset / OD Crown
- | Shock: 152 mm travel / 205x60 mm / Trunnion (bushing f.) / 19.05 mm (bushing r.)
- | Tire front: max. 29x2.6 (750x65)

front wheel combined with a 27.5" back wheel facilitates great handling; the 29" tyre improves the bike's behaviour when rolling over obstacles and reduces flip-over sensations while the nimble 27.5" tyre provides great agility on descents.

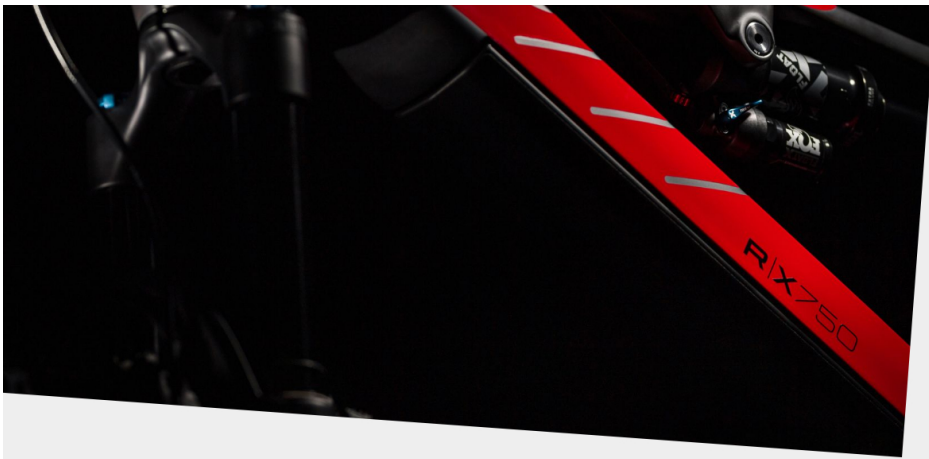
- | Tire rear: max. 27.5x2.8 (725x70) Permissible total weight: 130 kg / ASTM 4
- | Motor: Brose Drive S Mag / Air Cooler / up to 90 Nm torque
- | Battery: IPU750 / 720 Wh / aluminium/ 3.5 kg / Quick Release / 4.5 A charger
- | Color: Red
- | Sizes: S / M / L / XL
- | Weight: 24,4 kg (frame size L)



## Full Carbon Chassis

For an ideal weight to stiffness ratio, the complete carbon structure is used and only structurally necessary aluminum thread inserts are added.





## ROTWILD IPU750

The energy storage of our Extensive Series is equipped with a battery capacity of 720 Wh as well as high-performance cell technology (type 21700/5.0 Ah) and has a weight of 3.8 kg.

### Quick Release [IPU750]

The IPU750 is released and locked by means of an easy-to-maintain clamping mechanism with a quick-release fastener; electrical connection and mechanical securing are done in one easy step. Alternatively, a screw lock can be used to prevent theft.



### Integrated Carbon Motor Case

For a very controllable, precise handling provides the maximum stiff connection from the head tube over the down tube in the drive shaft, which is made possible by the integrated carbon motor housing.



## Configuration R.X750 CORE

### Battery

IPU750 [720 Wh]

### Cassette

SHIMANO CS 6100

### Chainring

e\*thirteen Direct Mount Chainring

### Damper

FOX Float X Performance

### Brake

MAGURA MT5 HC-W

### Chain

SHIMANO HG 7100

### Charger

ROTWILD - 4.5 A

### Display

Brose Display Allround

### Brake discs

MAGURA MDR-P Sensor

### Chain guide

ROTWILD SL750 2.0

### Crank

e\*thirteen Plus

### Drive

brose Drive S Mag

### Fork

FOX 36 Float Performance

### Gear lever

SHIMANO XT 8100

### Handlebar

ROTWILD B280 AL7075

### Handles

ERGON GD10

### Headset

ACROS RW750 1.5 Headset

### Rear derailleur

SHIMANO XT 8100

### Saddle

ERGON SM Sport

### Seat post

e\*thirteen Vario Covert Infinite

### Stem

ROTWILD S140 AL7075

### Wheels

DT SWISS H1900 Spline (30)

### Tyres

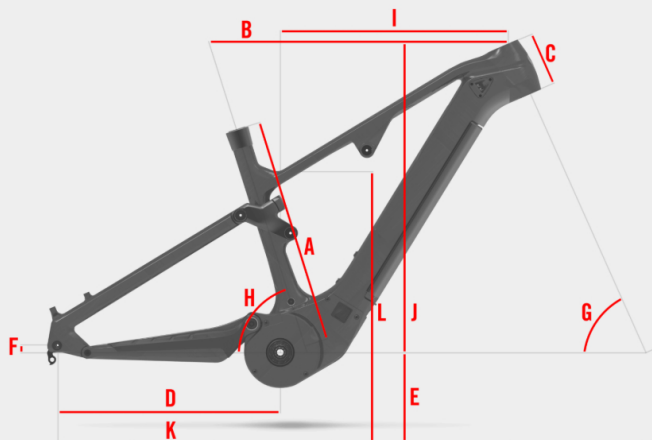
SCHWALBE Magic Mary / Hans Dampf

Errors and omissions excepted.

from €5,940.00\*

Prices incl. VAT plus shipping costs

Store-Locator 



## Geometry

Frame size	S	M	L	XL
<b>A</b> Seat tube length (mm)	413	444	473	509
<b>B</b> Top tube length (mm)	588	617	654	688
<b>C</b> Head tube length (mm)	110	110	130	140
<b>D</b> Chain stay length (mm)	445	445	445	445
<b>E</b> BB height (mm)	350	350	350	350
<b>F</b> BB Drop (mm)	15	15	15	15
<b>G</b> Head tube angle (°)	66,0	66,0	66,0	66,0
<b>H</b> Seat tube angle (°)	74,0	74,0	74,0	74,0
<b>I</b> Reach (mm)	405	437	468	500

<b>J</b> Stack (mm)	610	617	637	648
<b>K</b> Wheel base (mm)	1172	1198	1236	1270
<b>L</b> Standover (mm)	750	750	750	750

\*including 25 mm offset / setback

## Magazine

In the magazine you will find the voices from the media and the press, as well as further comprehensive information on the R.X750



### R.X750. The powerful all-rounder for an incomparable MTB experience in demanding terrain

The R.X750 PRO is the perfect bike for you if an extremely confi-dent and comfortably light trail bike is on your wish list, one that offers you moderate support uphill and enough endurance for spectacular biking adventures.

**Mehr** →



### A star of the season? The R.X750 CORE in test

Mountainbike magazine has looked for the star of the season in its major comparison test with a total of fourteen models, including the R.X750 CORE.

**Mehr** →

## #THEPEAKPERFORMER

[Store Locator](#)

[Product registration](#)

[Newsletter](#)

[Contact](#)

[Jobs](#)

[Bikes](#)

[Magazin](#)

[Service](#)

[Shop](#)

[Company](#)

[Imprint](#)

[Data privacy](#)

[Cookies](#)

[General terms and conditions](#)

[Cancellation form](#)

[👤 ROTWILD Riders Community](#)

[f Facebook](#)

[@ Instagram](#)

[in LinkedIn](#)

[📺 YouTube](#)